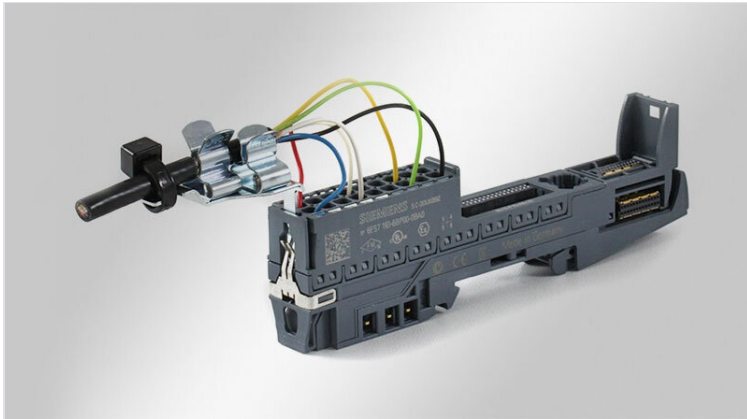


EMC shield clamps for bus modules

with plug-in mounting function



RoHS
compliant



Made in
Germany

The EMC shield clamp provides strain relief, cable guidance and earthing for decentralised bus modules of numerous manufacturers. The STFZ2 types are used for analogue I/O modules using two actuators / sensors.

Type STFZ|SKL is suitable for:

Bosch Rexroth: IP20 Inline Module

PHOENIX CONTACT: All terminals of the INLINE range. The terminals 1.4 and 2.4 must not be used for signal I/O.

Pilz: All PSSu-Modules with shield terminals 13 and 23

Siemens: All terminals of the ET200s range. Terminals 4 and 8 must not be used for signal I/O.

TURCK: All terminals of the BL20 I/O system.

VIPA SLIO: All terminals of the SLIO range. Terminals 4+8 must not be used for signal I/O.

WAGO: All terminals of the WAGO I/O Systems 750. Terminals 4 and 8 must not be used for signal I/O.

Rockwell Automation / Allen-Bradley: Series 1734

The STFZ I/O Insert Tool can be used for quick and easy mounting of STFZ terminal clamps.

Type STFZ-SP|SKL is suitable for:

Siemens: SIMATIC ET 200SP

Type STFZ-U|SKL is suitable for:

BECKHOFF: EL 3122, ES 3122, ES 9100, ES 9410, KL 1114, KS 2134

Specifications

Material	Shield clamp: Spring steel, zinc plated Snap foot: Mild steel, galvanically zinc plated
Properties	vibration proof
Mounting options	Snap-in

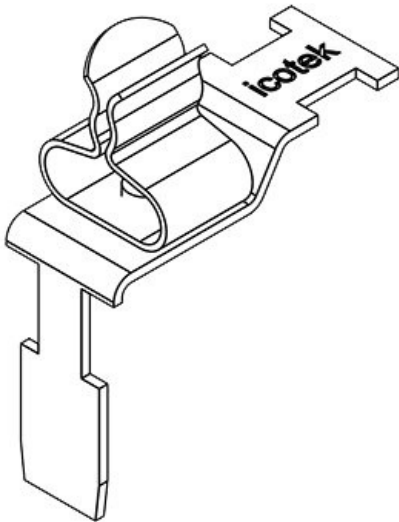
Advantages & benefits

- Large contact area
- Shield contact and strain relief separated
- The spring design requires no adjustments and will permanently maintain contact to the cable shield
- Earthing of signal cables close to the terminal
- Strain relief and cable management directly on the bus module

Product types & sizes

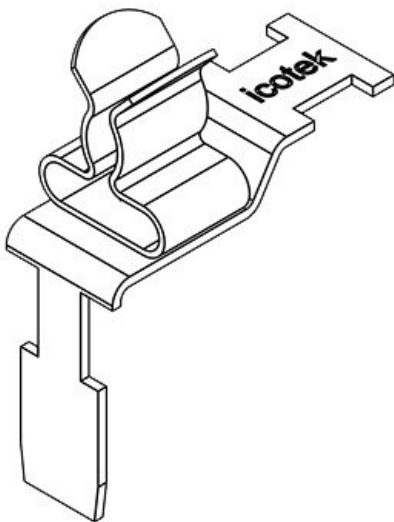
STFZ-SP|SKL 1.5-3

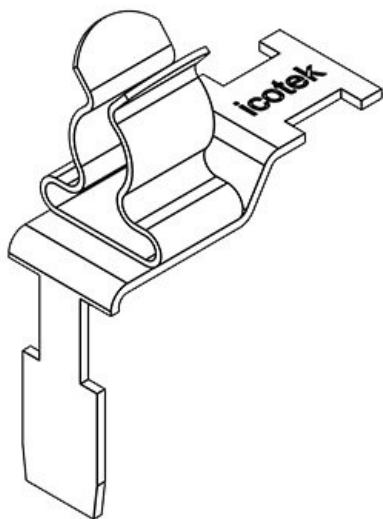
Part No.	37512.1	Length	26,5 mm
EAN	4251269305	Width	11,8 mm
	696	Height	32,9 mm
Package quantity	10		
No. of shield clamps	1		
For max. no. of cables	1		
Min. shield diam. pos. 1	1,5 mm		
Max. shield diam. pos. 1	3 mm		



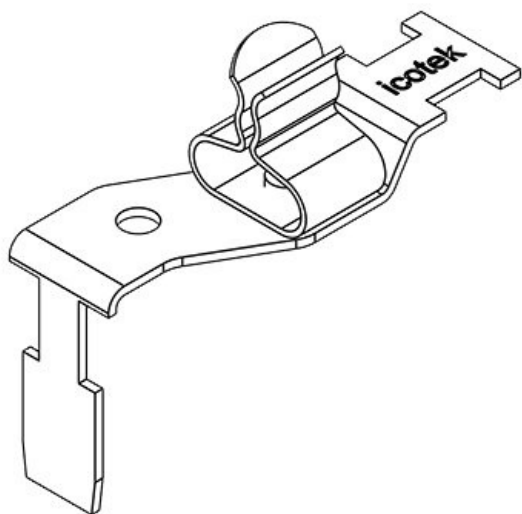
STFZ-SP|SKL 3-6

Part No.	37512.2	Length	26,5 mm
EAN	4251269305	Width	11,8 mm
	702	Height	33,6 mm
Package quantity	10		
No. of shield clamps	1		
For max. no. of cables	1		
Min. shield diam. pos. 1	3 mm		
Max. shield diam. pos. 1	6 mm		





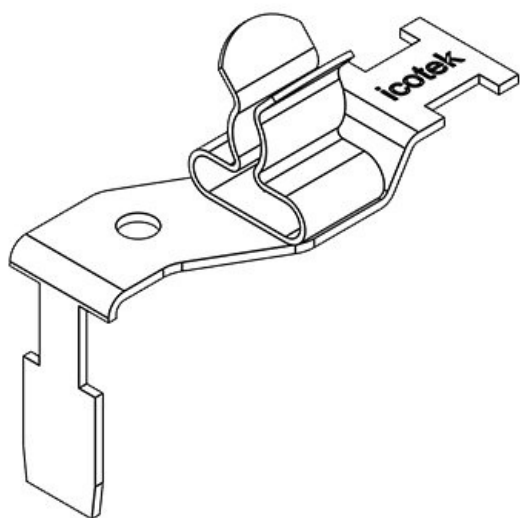
Part No.	37512.3	Length	26,5 mm
EAN	4251269305	Width	11,8 mm
	719	Height	35 mm
Package quantity	10		
No. of shield clamps	1		
For max. no. of cables	1		
Min. shield diam. pos. 1	6 mm		
Max. shield diam. pos. 1	8 mm		



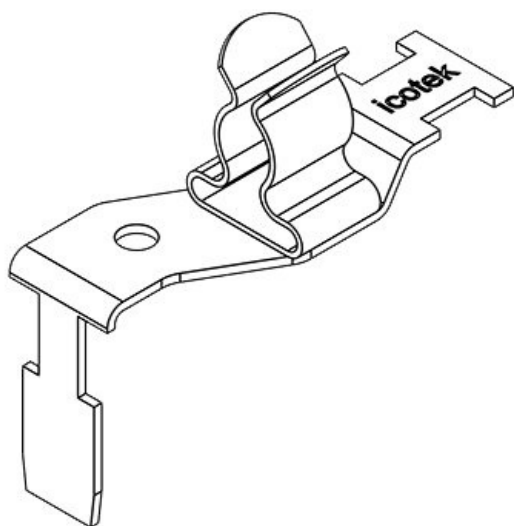
Part No.	37507.01	Length	36,5 mm
EAN	4251269305	Width	15,9 mm
	511	Height	32,9 mm
Package quantity	10		
No. of shield clamps	1		
For max. no. of cables	1		
Min. shield diam. pos. 2	1,5 mm		
Max. shield diam. pos. 2	3 mm		

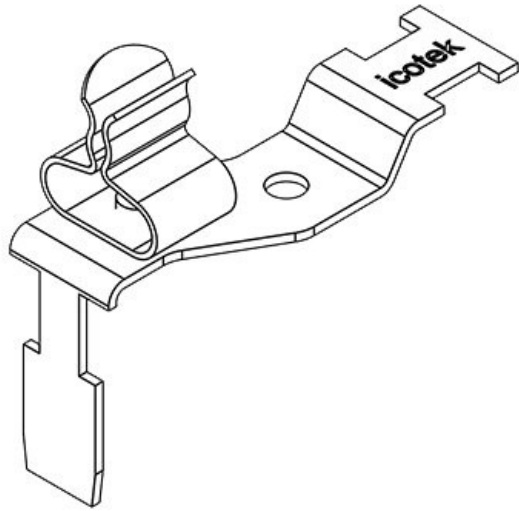
STFZ2-SP|02

Part No.	37507.02	Length	36,5 mm
EAN	4251269305	Width	15,9 mm
	528	Height	33,6 mm
Package quantity	10		
No. of shield clamps	1		
For max. no. of cables	1		
Min. shield diam. pos. 2	3 mm		
Max. shield diam. pos. 2	6 mm		

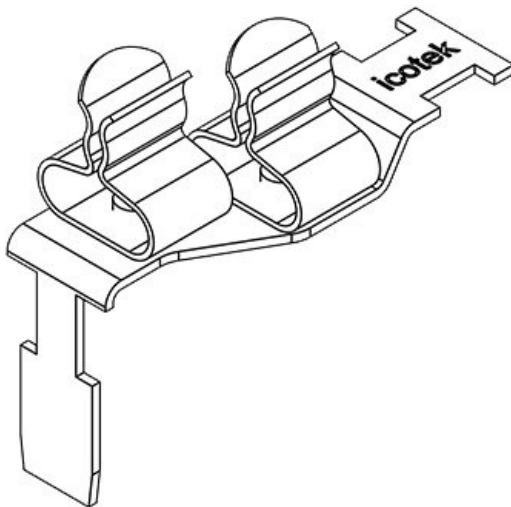
**STFZ2-SP|03**

Part No.	37507.03	Length	36,5 mm
EAN	4251269305	Width	15,9 mm
	535	Height	35 mm
Package quantity	10		
No. of shield clamps	1		
For max. no. of cables	1		
Min. shield diam. pos. 2	6 mm		
Max. shield diam. pos. 2	8 mm		



STFZ2-SP|10

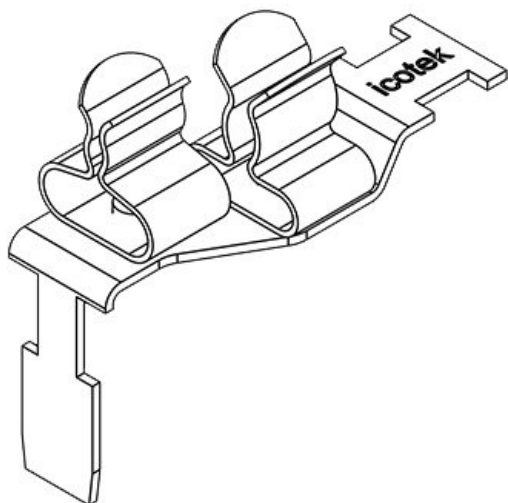
Part No.	37507.10	Length	36,5 mm
EAN	4251269305	Width	15,9 mm
	542	Height	32,9 mm
Package quantity	10		
No. of shield clamps	1		
For max. no. of cables	1		
Min. shield diam. pos. 1	1,5 mm		
Max. shield diam. pos. 1	3 mm		

STFZ2-SP|11

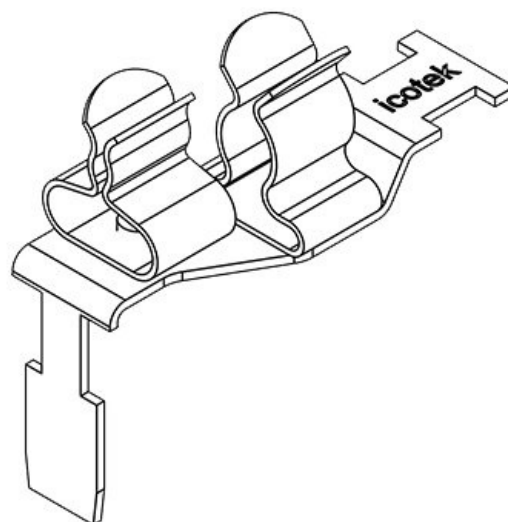
Part No.	37507.11	Min. shield diam. pos. 2	1,5 mm
EAN	4251269305	Max. shield diam. pos. 2	3 mm
	559	Length	36,5 mm
Package quantity	10	Width	15,9 mm
No. of shield clamps	2	Height	32,9 mm
For max. no. of cables	2		
Min. shield diam. pos. 1	1,5 mm		
Max. shield diam. pos. 1	3 mm		

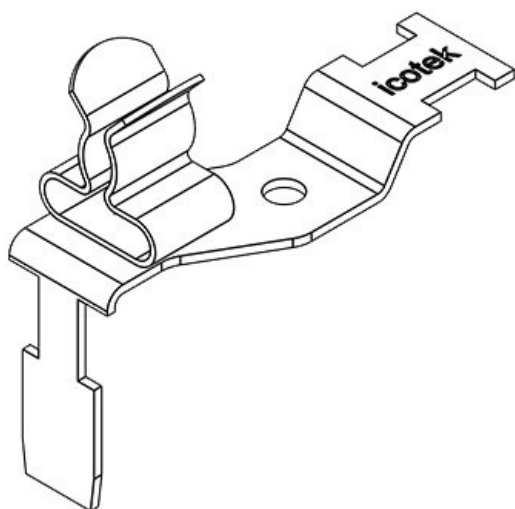
STFZ2-SP|12

Part No.	37507.12	Min. shield	3 mm
EAN	4251269305	diam. pos. 2	
	566	Max. shield	6 mm
Package	10	diam. pos. 2	
quantity		Length	36,5 mm
No. of shield	2	Width	16,8 mm
clamps		Height	33,6 mm
For max. no. of	2		
cables			
Min. shield	1,5 mm		
diam. pos. 1			
Max. shield	3 mm		
diam. pos. 1			

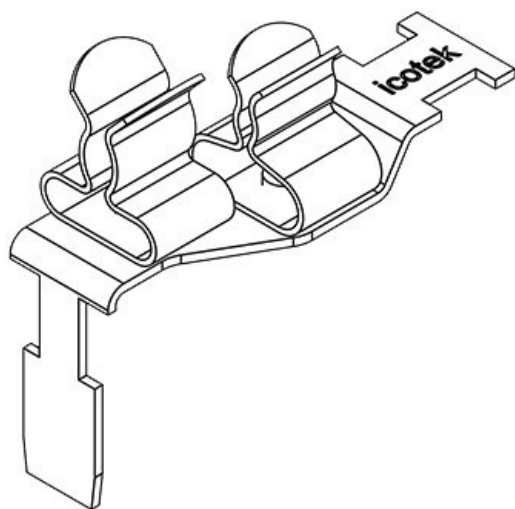
**STFZ2-SP|13**

Part No.	37507.13	Min. shield	6 mm
EAN	4251269305	diam. pos. 2	
	573	Max. shield	8 mm
Package	10	diam. pos. 2	
quantity		Length	36,5 mm
No. of shield	2	Width	16,8 mm
clamps		Height	35 mm
For max. no. of	2		
cables			
Min. shield	1,5 mm		
diam. pos. 1			
Max. shield	3 mm		
diam. pos. 1			



STFZ2-SP|20

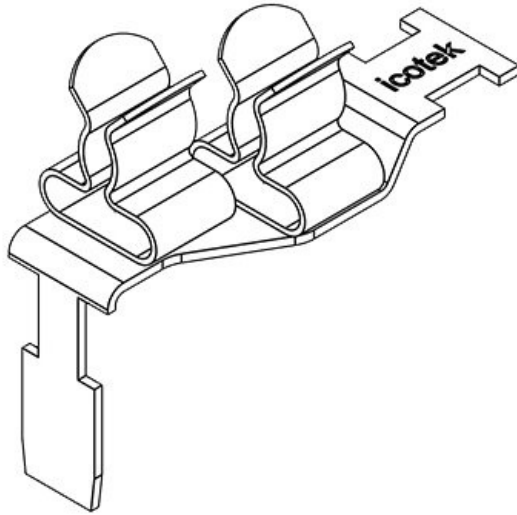
Part No.	37507.20	Length	36,5 mm
EAN	4251269305	Width	15,9 mm
	580	Height	33,6 mm
Package quantity	10		
No. of shield clamps	1		
For max. no. of cables	1		
Min. shield diam. pos. 1	3 mm		
Max. shield diam. pos. 1	6 mm		

STFZ2-SP|21

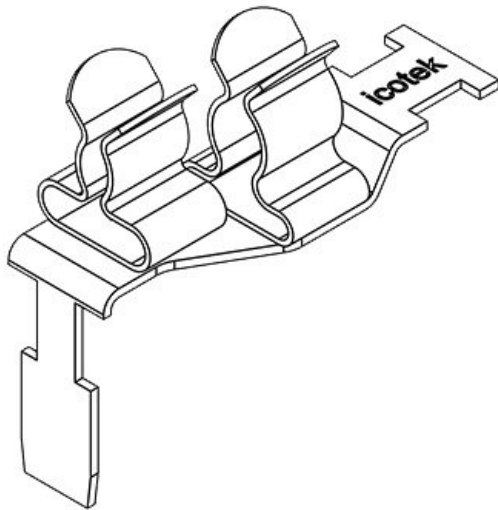
Part No.	37507.21	Min. shield diam. pos. 2	1,5 mm
EAN	4251269305	Max. shield diam. pos. 2	3 mm
	597	Length	36,5 mm
Package quantity	10	Width	16,8 mm
No. of shield clamps	2	Height	33,6 mm
For max. no. of cables	2		
Min. shield diam. pos. 1	3 mm		
Max. shield diam. pos. 1	6 mm		

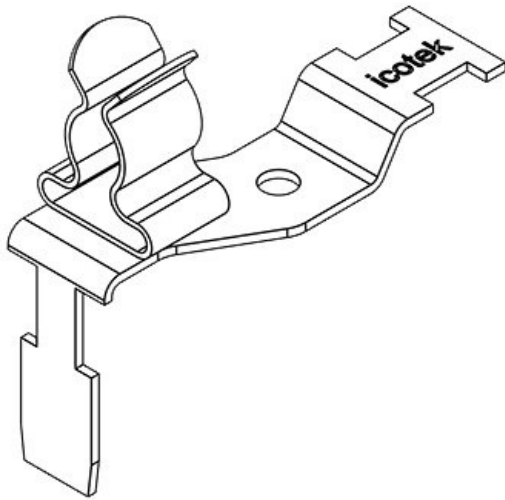
STFZ2-SP|22

Part No.	37507.22	Min. shield	3 mm
EAN	4251269305	diam. pos. 2	
	603	Max. shield	6 mm
Package	10	diam. pos. 2	
quantity		Length	36,5 mm
No. of shield	2	Width	16,8 mm
clamps		Height	33,6 mm
For max. no. of 2			
cables			
Min. shield	3 mm		
diam. pos. 1			
Max. shield	6 mm		
diam. pos. 1			

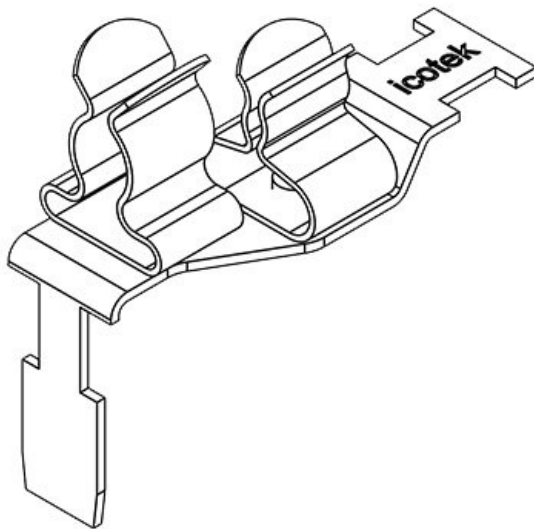
**STFZ2-SP|23**

Part No.	37507.23	Min. shield	6 mm
EAN	4251269305	diam. pos. 2	
	610	Max. shield	8 mm
Package	10	diam. pos. 2	
quantity		Length	36,5 mm
No. of shield	2	Width	16,8 mm
clamps		Height	35 mm
For max. no. of 2			
cables			
Min. shield	3 mm		
diam. pos. 1			
Max. shield	6 mm		
diam. pos. 1			



STFZ2-SP|30

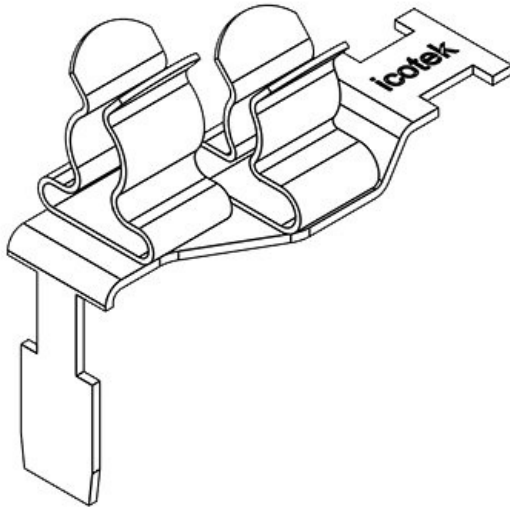
Part No.	37507.30	Length	36,5 mm
EAN	4251269305	Width	15,9 mm
	627	Height	35 mm
Package quantity	10		
No. of shield clamps	1		
For max. no. of cables	1		
Min. shield diam. pos. 1	6 mm		
Max. shield diam. pos. 1	8 mm		

STFZ2-SP|31

Part No.	37507.31	Min. shield diam. pos. 2	1,5 mm
EAN	4251269305	Max. shield diam. pos. 2	3 mm
	634	Length	36,5 mm
Package quantity	10	Width	16,8 mm
No. of shield clamps	2	Height	35 mm
For max. no. of cables	2		
Min. shield diam. pos. 1	6 mm		
Max. shield diam. pos. 1	8 mm		

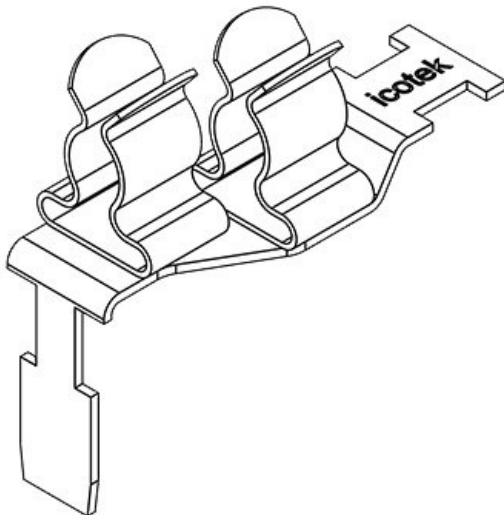
STFZ2-SP|32

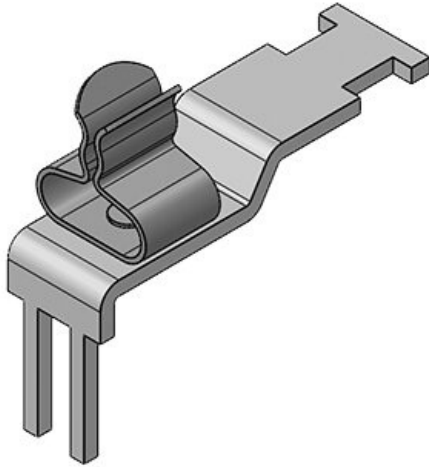
Part No.	37507.32	Min. shield	3 mm
EAN	4251269305	diam. pos. 2	
	641	Max. shield	6 mm
Package	10	diam. pos. 2	
quantity		Length	36,5 mm
No. of shield	2	Width	16,8 mm
clamps		Height	35 mm
For max. no. of 2			
cables			
Min. shield	6 mm		
diam. pos. 1			
Max. shield	8 mm		
diam. pos. 1			



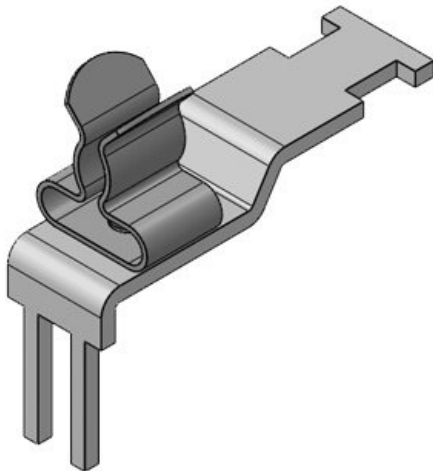
STFZ2-SP|33

Part No.	37507.33	Min. shield	6 mm
EAN	4251269305	diam. pos. 2	
	658	Max. shield	8 mm
Package	10	diam. pos. 2	
quantity		Length	36,5 mm
No. of shield	2	Width	16,8 mm
clamps		Height	35 mm
For max. no. of 2			
cables			
Min. shield	6 mm		
diam. pos. 1			
Max. shield	8 mm		
diam. pos. 1			



STFZ-U|SKL 1.5-3

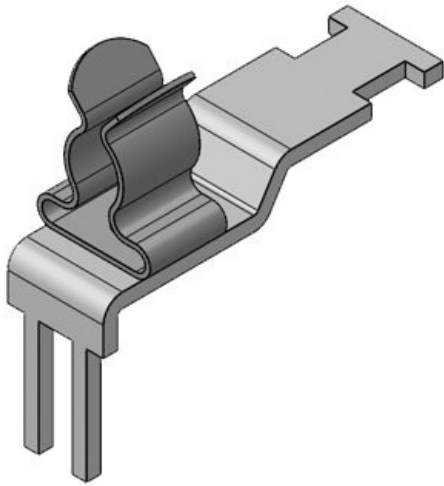
Part No.	37514.1	Length	35,5 mm
EAN	4251269305	Width	11,8 mm
	726	Height	29,9 mm
Package quantity	10		
No. of shield clamps	1		
For max. no. of cables	1		
Min. shield diam. pos. 1	1,5 mm		
Max. shield diam. pos. 1	3 mm		

STFZ-U|SKL 3-6

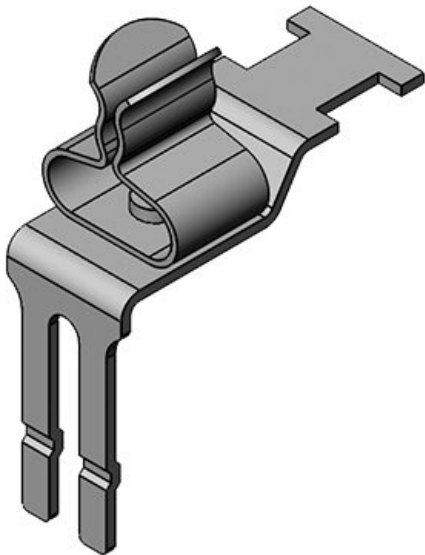
Part No.	37514.2	Length	35,5 mm
EAN	4251269305	Width	11,8 mm
	733	Height	30,6 mm
Package quantity	10		
No. of shield clamps	1		
For max. no. of cables	1		
Min. shield diam. pos. 1	3 mm		
Max. shield diam. pos. 1	6 mm		

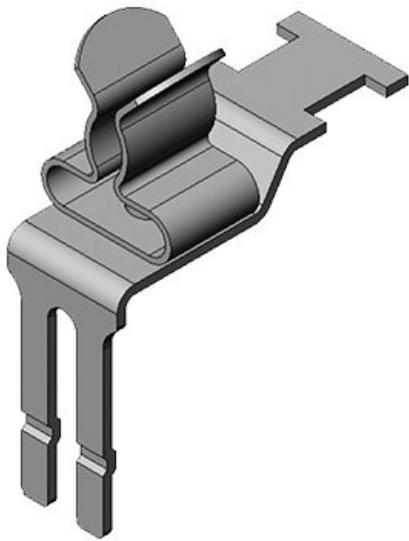
STFZ-U|SKL 6-8

Part No.	37514.3	Length	35,5 mm
EAN	4251269305	Width	11,8 mm
	740	Height	31,6 mm
Package quantity	10		
No. of shield clamps	1		
For max. no. of cables	1		
Min. shield diam. pos. 1	6 mm		
Max. shield diam. pos. 1	8 mm		

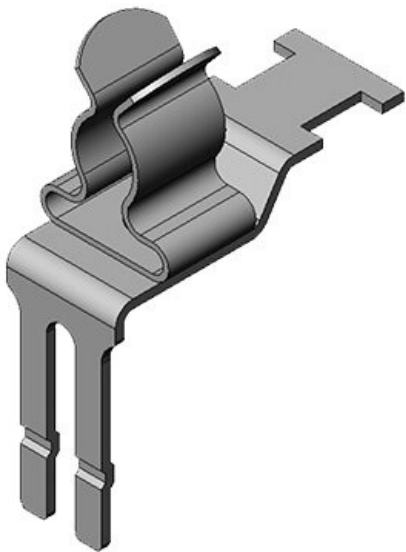
**STFZ|SKL 1.5-3**

Part No.	37510.1	Length	26,5 mm
EAN	4251269305	Width	11,8 mm
	665	Height	32,9 mm
Package quantity	10		
No. of shield clamps	1		
For max. no. of cables	1		
Min. shield diam. pos. 1	1,5 mm		
Max. shield diam. pos. 1	3 mm		



STFZ|SKL 3-6

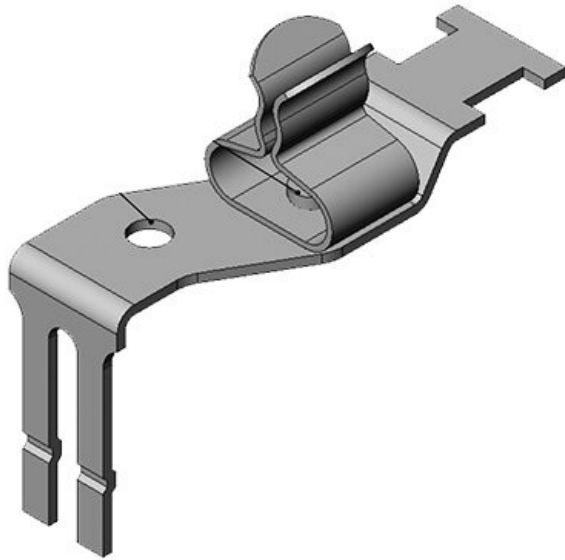
Part No.	37510.2	Length	26,5 mm
EAN	4251269305	Width	11,8 mm
	672	Height	33,6 mm
Package quantity	10		
No. of shield clamps	1		
For max. no. of cables	1		
Min. shield diam. pos. 1	3 mm		
Max. shield diam. pos. 1	6 mm		

STFZ|SKL 6-8

Part No.	37510.3	Length	26,5 mm
EAN	4251269305	Width	11,8 mm
	689	Height	35 mm
Package quantity	10		
No. of shield clamps	1		
For max. no. of cables	1		
Min. shield diam. pos. 1	6 mm		
Max. shield diam. pos. 1	8 mm		

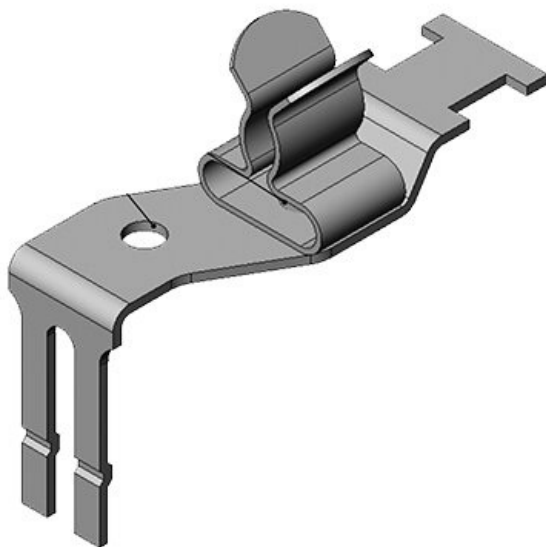
STFZ2|01

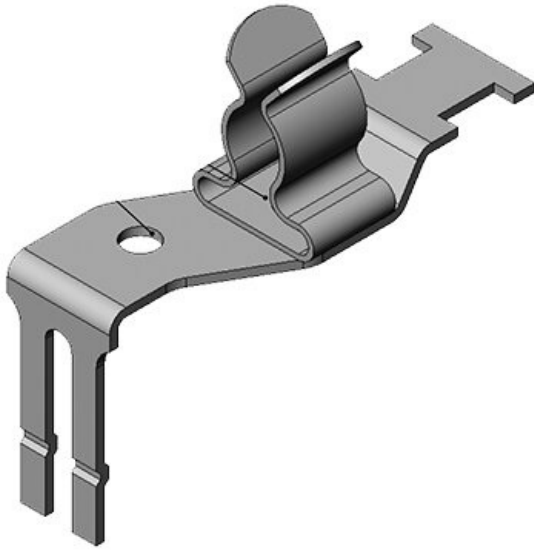
Part No.	37505.01	Length	36 mm
EAN	4251269305	Width	16 mm
	368	Height	33 mm
Package quantity	10		
No. of shield clamps	1		
For max. no. of cables	1		
Min. shield diam. pos. 2	1,5 mm		
Max. shield diam. pos. 2	3 mm		



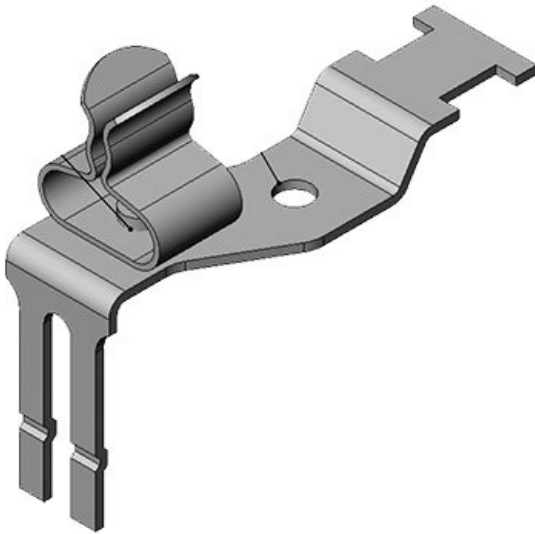
STFZ2|02

Part No.	37505.02	Length	36 mm
EAN	4251269305	Width	16 mm
	375	Height	34 mm
Package quantity	10		
No. of shield clamps	1		
For max. no. of cables	1		
Min. shield diam. pos. 2	3 mm		
Max. shield diam. pos. 2	6 mm		





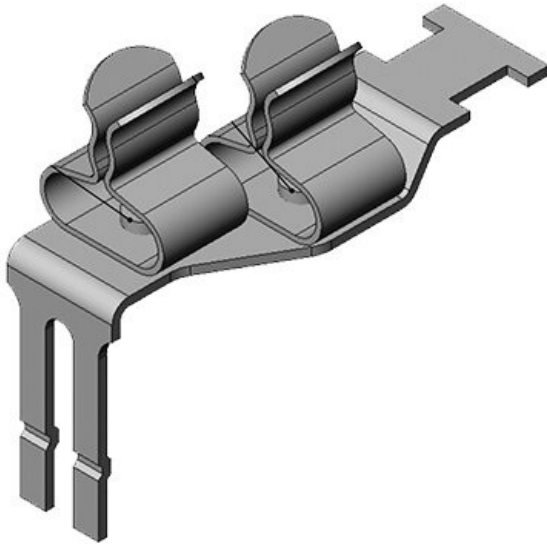
Part No.	37505.03	Length	36 mm
EAN	4251269305	Width	16 mm
	382	Height	35 mm
Package quantity	10		
No. of shield clamps	1		
For max. no. of cables	1		
Min. shield diam. pos. 2	6 mm		
Max. shield diam. pos. 2	8 mm		



Part No.	37505.10	Length	36 mm
EAN	4251269305	Width	16 mm
	399	Height	33 mm
Package quantity	10		
No. of shield clamps	1		
For max. no. of cables	1		
Min. shield diam. pos. 1	1,5 mm		
Max. shield diam. pos. 1	3 mm		

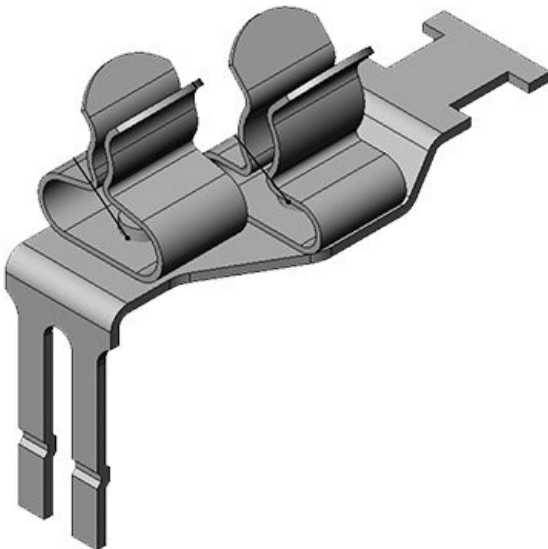
STFZ2|11

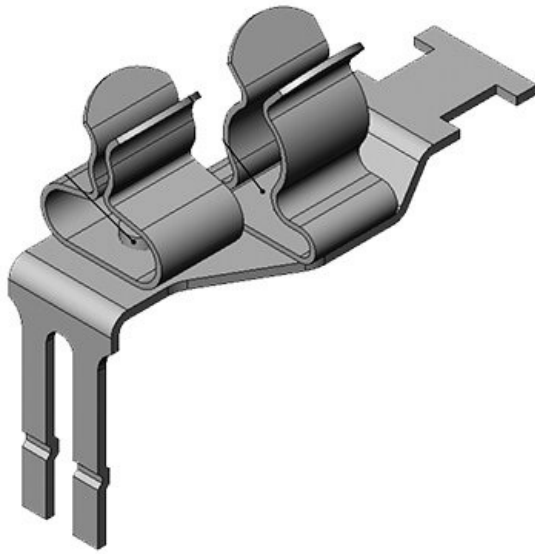
Part No.	37505.11	Min. shield	1,5 mm
EAN	4251269305	diam. pos. 2	
	405	Max. shield	3 mm
Package	10	diam. pos. 2	
quantity		Length	36 mm
No. of shield	2	Width	17 mm
clamps		Height	33 mm
For max. no. of 2			
cables			
Min. shield	1,5 mm		
diam. pos. 1			
Max. shield	3 mm		
diam. pos. 1			



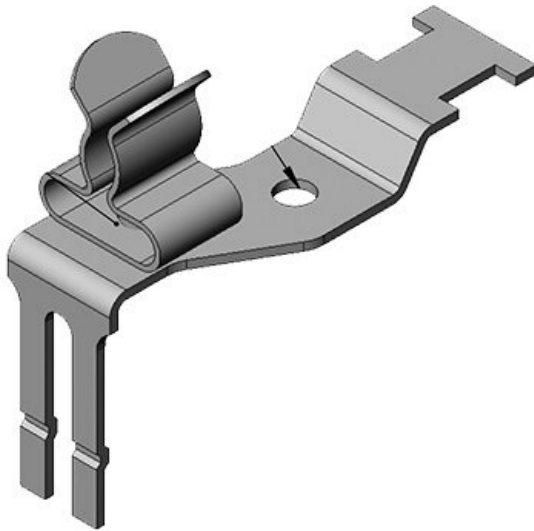
STFZ2|12

Part No.	37505.12	Min. shield	3 mm
EAN	4251269305	diam. pos. 2	
	412	Max. shield	6 mm
Package	10	diam. pos. 2	
quantity		Length	36 mm
No. of shield	2	Width	17 mm
clamps		Height	34 mm
For max. no. of 2			
cables			
Min. shield	1,5 mm		
diam. pos. 1			
Max. shield	3 mm		
diam. pos. 1			





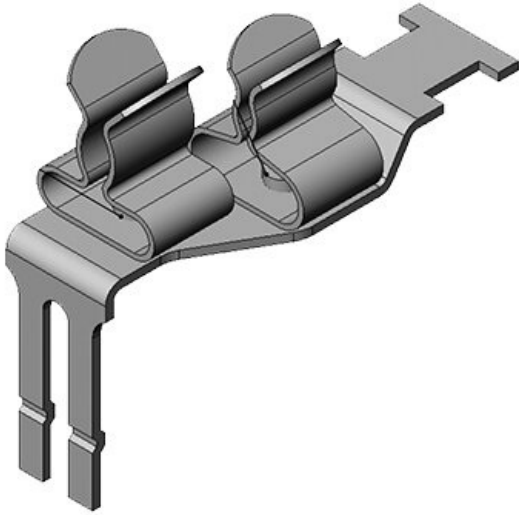
Part No.	37505.13	Min. shield	6 mm
EAN	4251269305	diam. pos. 2	
	429	Max. shield	8 mm
Package	10	diam. pos. 2	
quantity		Length	36 mm
No. of shield	2	Width	17 mm
clamps		Height	35 mm
For max. no. of	2		
cables			
Min. shield	1,5 mm		
diam. pos. 1			
Max. shield	3 mm		
diam. pos. 1			



Part No.	37505.20	Length	36 mm
EAN	4251269305	Width	16 mm
	436	Height	34 mm
Package	10		
quantity			
No. of shield	1		
clamps			
For max. no. of	1		
cables			
Min. shield	3 mm		
diam. pos. 1			
Max. shield	6 mm		
diam. pos. 1			

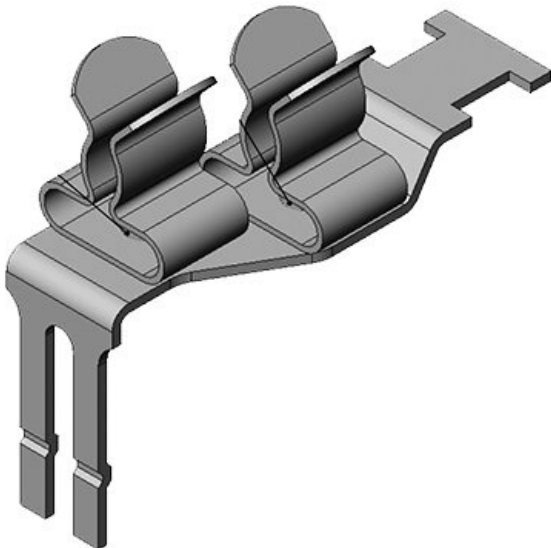
STFZ2|21

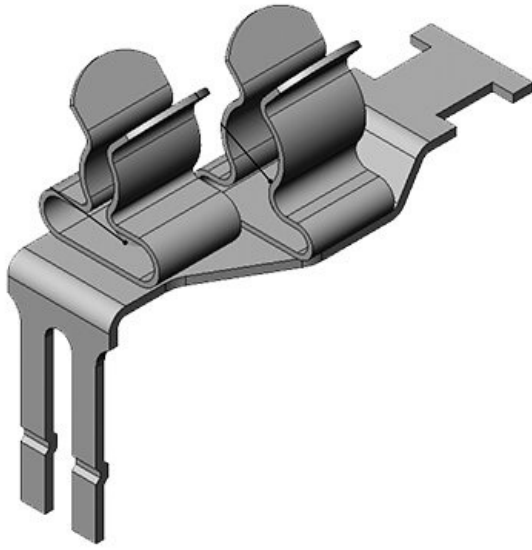
Part No.	37505.21	Min. shield	1,5 mm
EAN	4251269305	diam. pos. 2	
	443	Max. shield	3 mm
Package	10	diam. pos. 2	
quantity		Length	36 mm
No. of shield	2	Width	17 mm
clamps		Height	34 mm
For max. no. of 2			
cables			
Min. shield	3 mm		
diam. pos. 1			
Max. shield	6 mm		
diam. pos. 1			



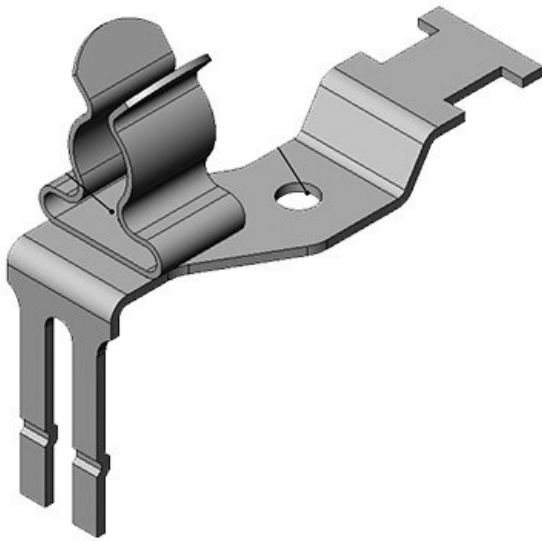
STFZ2|22

Part No.	37505.22	Min. shield	3 mm
EAN	4251269305	diam. pos. 2	
	450	Max. shield	6 mm
Package	10	diam. pos. 2	
quantity		Length	36 mm
No. of shield	2	Width	17 mm
clamps		Height	34 mm
For max. no. of 2			
cables			
Min. shield	3 mm		
diam. pos. 1			
Max. shield	6 mm		
diam. pos. 1			





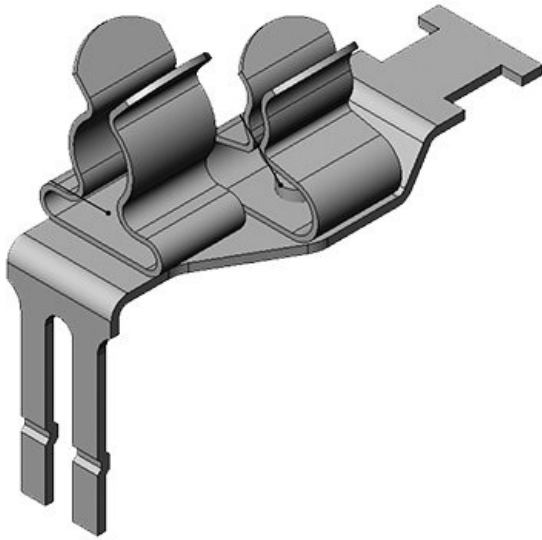
Part No.	37505.23	Min. shield	6 mm
EAN	4251269305	diam. pos. 2	
	467	Max. shield	8 mm
Package	10	diam. pos. 2	
quantity		Length	36 mm
No. of shield	2	Width	17 mm
clamps		Height	35 mm
For max. no. of	2		
cables			
Min. shield	3 mm		
diam. pos. 1			
Max. shield	6 mm		
diam. pos. 1			



Part No.	37505.30	Length	36 mm
EAN	4251269305	Width	16 mm
	474	Height	35 mm
Package	10		
quantity			
No. of shield	1		
clamps			
For max. no. of	1		
cables			
Min. shield	6 mm		
diam. pos. 1			
Max. shield	8 mm		
diam. pos. 1			

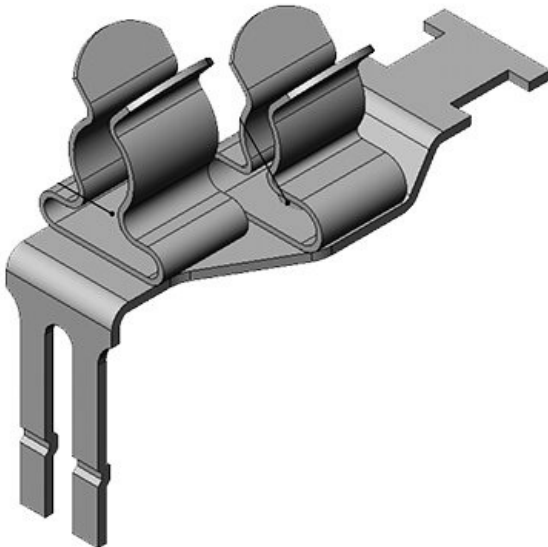
STFZ2|31

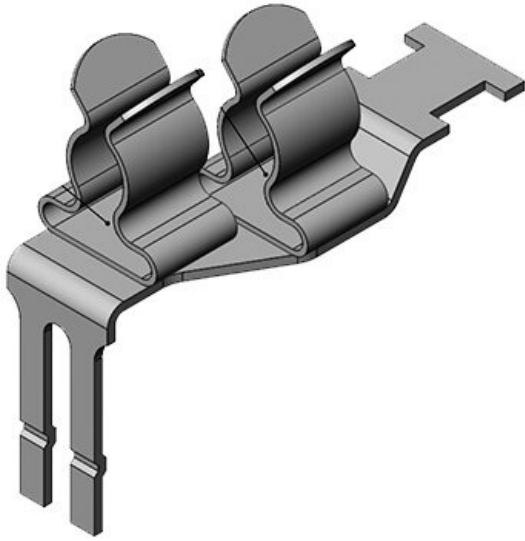
Part No.	37505.31	Min. shield	1,5 mm
EAN	4251269305	diam. pos. 2	
	481	Max. shield	3 mm
Package	10	diam. pos. 2	
quantity		Length	36 mm
No. of shield	2	Width	17 mm
clamps		Height	35 mm
For max. no. of 2			
cables			
Min. shield	6 mm		
diam. pos. 1			
Max. shield	8 mm		
diam. pos. 1			



STFZ2|32

Part No.	37505.32	Min. shield	3 mm
EAN	4251269305	diam. pos. 2	
	498	Max. shield	6 mm
Package	10	diam. pos. 2	
quantity		Length	36 mm
No. of shield	2	Width	17 mm
clamps		Height	35 mm
For max. no. of 2			
cables			
Min. shield	6 mm		
diam. pos. 1			
Max. shield	8 mm		
diam. pos. 1			





Part No.	37505.33	Min. shield	6 mm
EAN	4251269305	diam. pos. 2	
	504	Max. shield	8 mm
Package	10	diam. pos. 2	
quantity		Length	36 mm
No. of shield	2	Width	17 mm
clamps		Height	35 mm
For max. no. of 2			
cables			
Min. shield	6 mm		
diam. pos. 1			
Max. shield	8 mm		
diam. pos. 1			

STFZ I/O Insert Tool



Part No.	61430
EAN	
Package	1
quantity	